

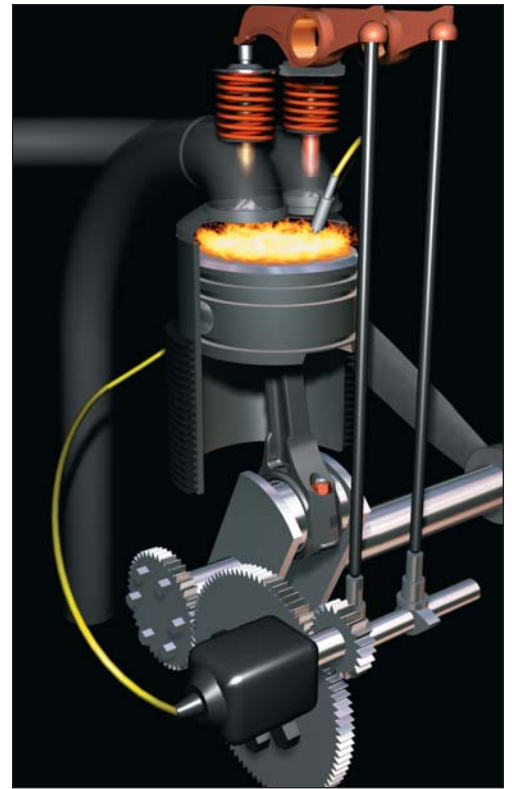
# Graphics Capabilities

The Graphics Department at Engineering Systems Inc. has supported the assignments of our in-house engineering staff for over a decade.

Very often it takes a 3D technical drawing, a video presentation, or 3D computer modeling to explain a concept or a series of events that a thousand technical words could not hope to get across. All in-house assignments are developed under the strict supervision of the lead engineer or technician to ensure absolute accuracy.



You can also hire the Graphics Department totally independently of ESI's other groups. Stand-alone services are a regular part of our business. Clients benefit from the experience, advice, and the competitive pricing of our Graphics Department. If in any doubt regarding your project, just give us a call and we can discuss the best solution.

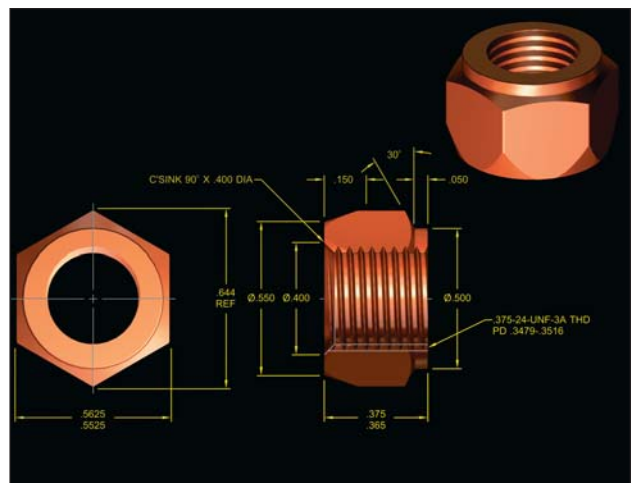
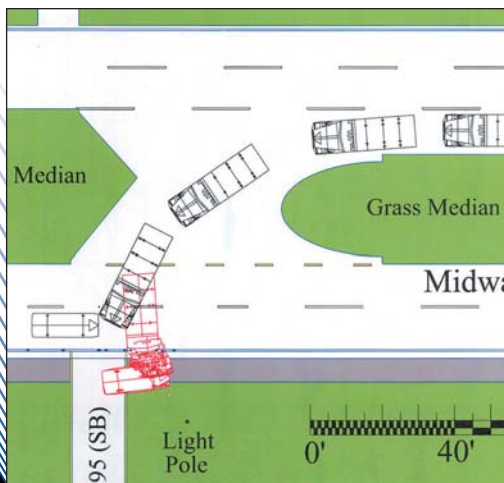
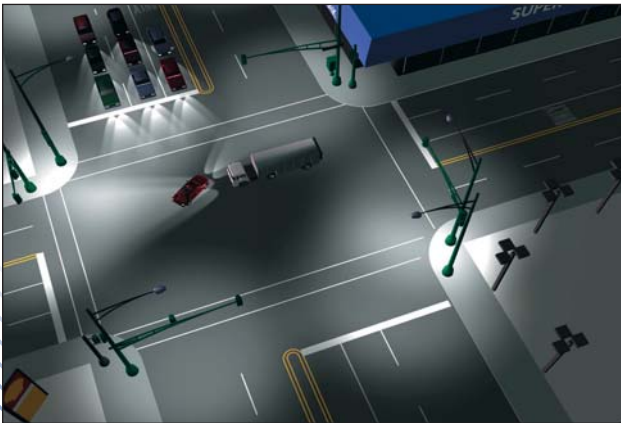


## Technical Illustrations and Drawings

Technical illustrations ranging from simple, single-part views to complicated, exploded assembly views or cutaways of any type of part or component.

## Color and Black & White Photography and Printing

Darkroom processing equipment provides high quality color enlargements up to 24" x 30" and black & white enlargements up to 16" x 20", at very competitive rates.



# Graphics Capabilities

## Graphic Design Services

Professional graphic design services for non-technical print media work including brochure, logo, package, and promotional material design.

## Digital Video Editing

In-house digital video editing capability which can edit VHS, Hi-8 or digital video and output to VHS, CD and DVD.

## Large Format Poster Printing and Laminating

High quality large format posters up to 30" x 40".



## 3-D Computer Modeling

Complex 3-D computer models for use in animation work, or stereo lithography and rapid prototyping.

## 3-D Computer Animations

3-D animations or visualizations for use in demonstrating abstract or complex concepts. Extremely beneficial in helping lay people understand critical elements of your case.



## Scale Modeling for Exhibits and Displays

Dynamic productions of everything from finely detailed scale models to full-size mock-ups of many different types of machines or objects.

## Document and X-ray Highlighting

Electronic highlighting of documents for exhibits, and electronic highlighting of X-rays for clarity.

## Trial Exhibit Preparation

High resolution posters up to 30" x 40", complete with mounting on foam board, as well as exhibits in electronic form on CD or DVD for use with the presentation software of your choice.



## *Providing Clear Answers Through Insights and Multidisciplinary Excellence*

Assignments vary from national disasters to simple evaluations. We address complex issues with a multidisciplinary approach and the sharing of knowledge. Add to that research specialists, laboratories, test facilities, first-class modeling and graphics, and you have the best advice and support available in this industry...right here at ESI.

Chicago/Aurora, IL (630) 851-4566  
(Corporate Headquarters)

Atlanta, GA (770) 521-4252  
Baton Rouge, LA (225) 292-0525  
Colorado Springs, CO (719) 535-0400  
Fort Myers, FL (239) 482-0500  
Houston, TX (281) 448-6060  
Miami, FL (305) 779-5911  
St. Louis, MO (636) 240-6095